



- 5 kW
- Extern Air
- Two point door lock
- Window aircleaning system
- Cast iron grade
- Fireclay firebox
- Flue connection top/rear: 120/150 mm
- H x W x D: 1095x544x440 mm
- For continuous use
- Fuel: wood, lignite



Extern Air



Airlogic



FirePlus



TripleAir



Cleaning Air



Double casing



Wood

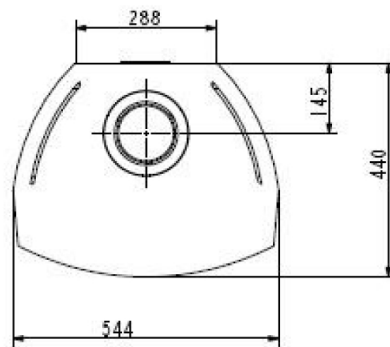
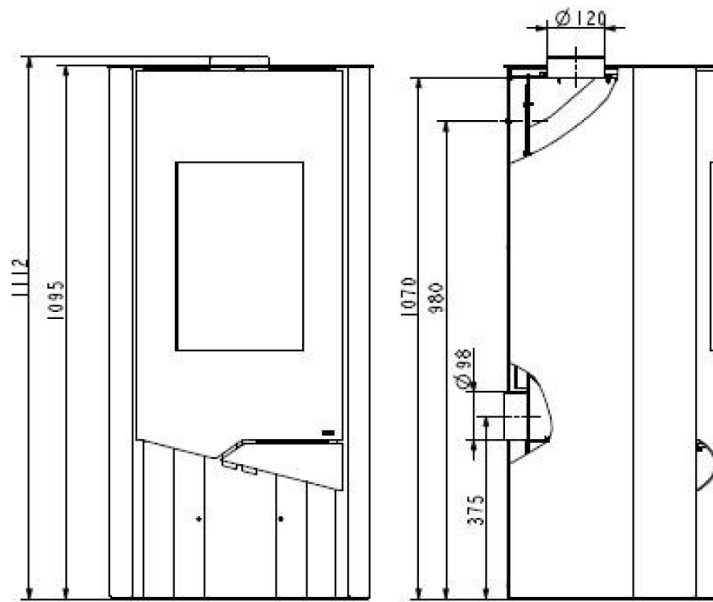


Continuous use



Brown coal

Certification	1.+2.Stufe 1.BImSchV, CE, 15aB-VG, VKF
Heat output (kW)	5
Min-max heat output (kW)	2,4-5,2
Heat capacity (m3)	88
Flue connection back,top (mm)	120/150
Flue gas quantity (g/s)	5,6
Flue gas temperature (C)	234
Air needs Pa	12
Size H x W x D (mm)	1095x544x440
Fuel	wood, lignite
Window size H x W (mm)	390x255
Firebox size W x D x H (mm)	330x258x387
Net weight (kg)	133



**Wamsler SE**  
3100 Salgótarján, Rákóczi út 53-55  
[www.wamsler.hu](http://www.wamsler.hu)

**WAMSLER**  
SINCE 1875